



CATALOGUE 2012 | RETRACTABLE INSECT SCREENS

- Volando - vertical system
- Volando - horizontal system

VOLANDO

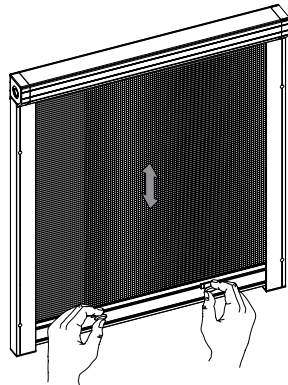
TABLE OF CONTENTS

	page
GENERAL INFORMATION	2
TYPES OF RETRACTABLE SCREENS	2
RETRACTABLE WINDOW SCREEN VERTICAL SYSTEM	3
TYPES OF CATCHES	3
TYPES OF RETRACTABLE WINDOW SCREEN INSTALLATION & ASSEMBLY	3
RETRACTABLE WINDOW SCREEN - INSTALLATION INTO WINDOW REVEAL	
- Diagram	4
- How to assemble it in the reveal	4
RETRACTABLE WINDOW SCREEN - INSTALLATION ONTO WINDOW FRAME	
- Diagram	5
- How to assemble it in the reveal	5
RETRACTABLE WINDOW SCREEN - INSTALLATION ONTO WINDOW FRAME (INSTALLATION FASTENERS)	
- Diagram	6
- How to assemble it onto the frame with installation fasteners	6
RETRACTABLE DOOR SCREEN HORIZONTAL SYSTEM	7
TYPES OF RETRACTABLE DOOR SCREEN INSTALLATION & ASSEMBLY METHODS	7
RETRACTABLE DOOR SCREEN - INSTALLATION INTO DOOR REVEAL	
- Diagram	8
- How to assemble it in the reveal	8
RETRACTABLE DOOR SCREEN - ASSEMBLY ONTO THE DOOR FRAME	
- Diagram	9
- How to assemble it onto the frame	9
RETRACTABLE DOOR SCREEN - ASSEMBLY ONTO THE DOOR FRAME (INSTALLATION FASTENERS)	
- Diagram	10
- How to assemble it onto the frame with installation fasteners	10
TECHNICAL DETAILS	
- Diagram of end-stop in guide bar	11
- Diagram of brushes in guide bars	11
- Location of screw openings for installation onto window frame	11
- Alternative way to fasten the guide bar into the reveal	11
CUTTING COMPONENTS	12-13
RECOMENDED MINIMUM AND MAXIMUM SIZES	14

TYPES OF RETRACTABLE SCREENS

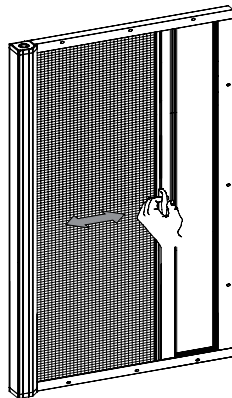
Volando VERTICAL SYSTEM

A retractable window screen that is suitable to install on any kind of window and which offers a variety of ways to assemble. The pull bar latches either into end catches or into a catch bar.



Volando HORIZONTAL SYSTEM

A retractable door screen which is suitable to install on door frames or jambs. The pull bar latches onto a magnetic strip when in its extended position.



RETRACTABLE WINDOW SCREEN

BASIC PRICE LIST ASSEMBLY OF RETRACTABLE WINDOW SCREEN

SCREEN: PVC-coated fiberglass

SCREEN COLOR - gray, black

HOUSING: extruded aluminum form

HOUSING COLOR - white, dark brown

PULL BAR COLOR: white / dark brown, according to housing color

UPPER GUIDE RAIL: 27 x 22 extruded aluminum form with brush strip

UPPER GUIDE RAIL COLOR - white / dark brown

EXTRAS

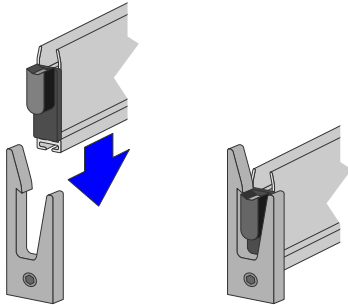
HOUSING COLOR: optional coating with RAL colors

PULL BAR COLOR: optional coating with RAL colors

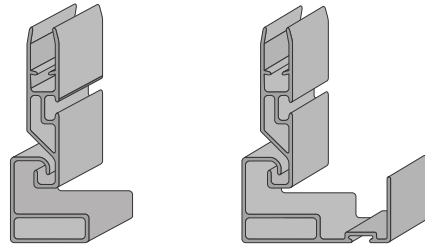
GUIDE RAIL COLOR: optional coating with RAL colors

PLASTIC ELEMENTS ONLY IN DARK BROWN










ADJUSTABLE END CATCH



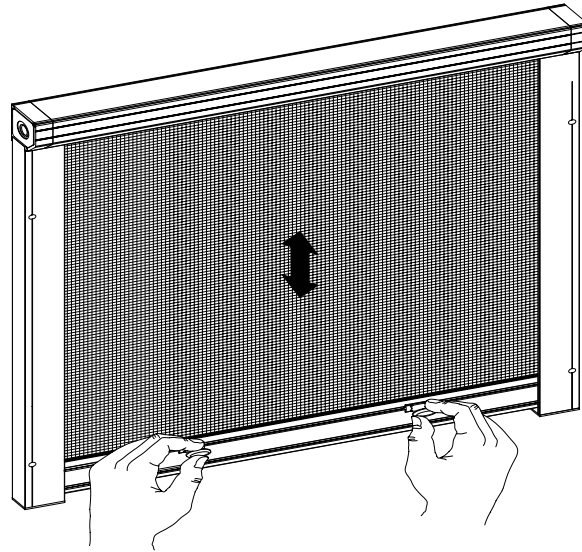
CATCH BAR



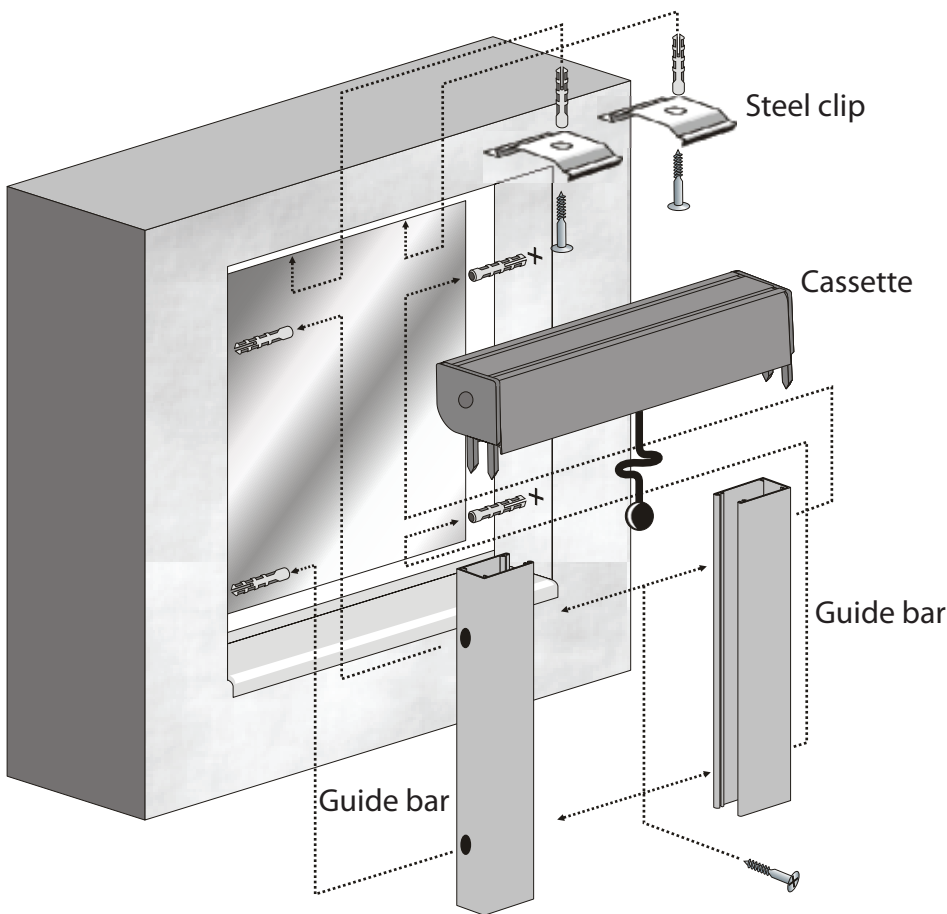
RETRACTABLE WINDOW SCREEN INSTALLATION & ASSEMBLY METHODS

INSTALLATION TYPE	GUIDE RAIL	CATCH BAR	ADJUSTABLE END CATCH	PAGE
INTO REVEAL - with adjustable end catches	 27x22mm		✓	4
INTO REVEAL - with catch bar	 27x22mm	 24x22mm		4
ONTO FRAME - with distance guide bar and adjustable end catches	 27x42mm		✓	5
ONTO FRAME - with distance guide bar and catch bar	 27x42mm	 24x42mm		5
ONTO FRAME - with distance guide on plastic installation fastener	 27x42mm		✓	6
ONTO FRAME - with distance guide bar and catch bar on plastic installation fastener	 27x42mm	 24x42mm		6

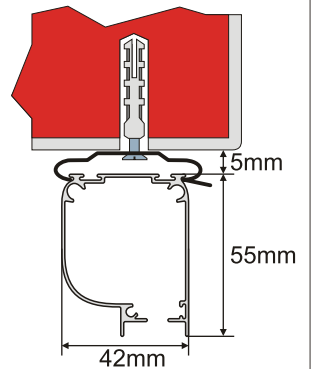
DIAGRAM



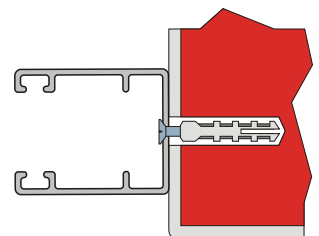
HOW TO ASSEMBLE IT INTO A REVEAL



DETAIL OF FASTENING HOUSING

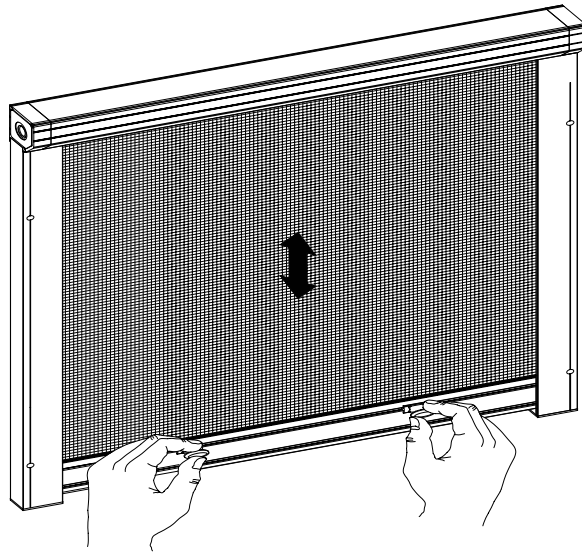


DETAIL OF FASTENING GUIDE RAILS

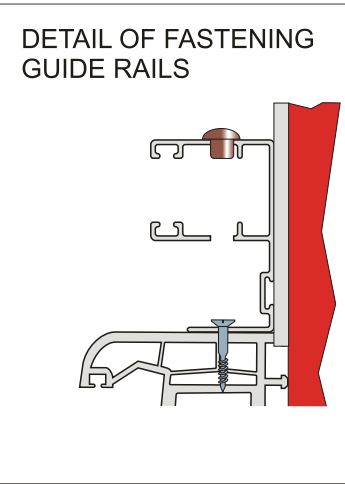
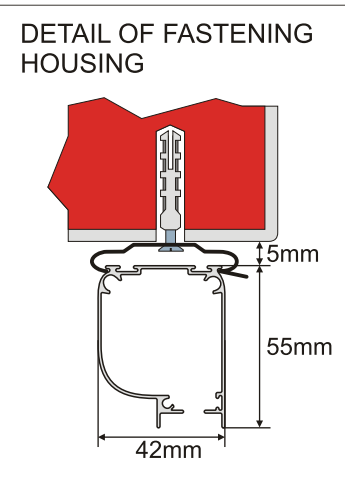
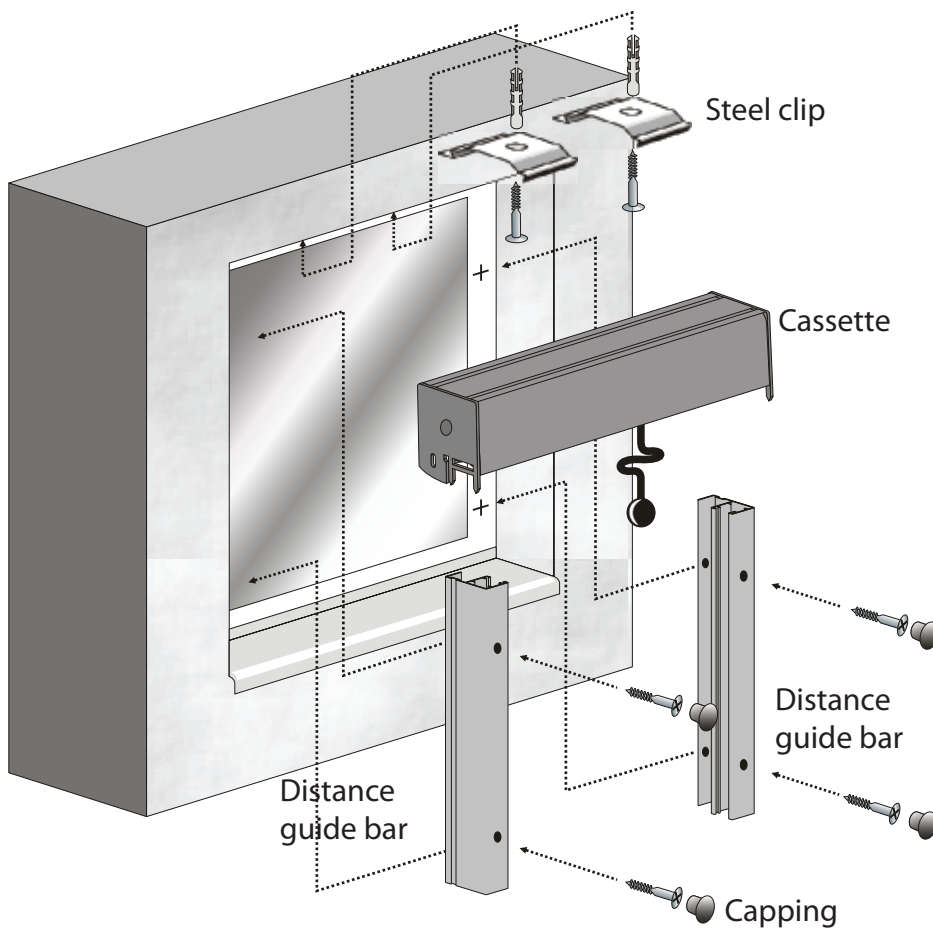


IN ORDER FOR THE SCREEN TO WORK PROPERLY
IT'S NECESSARY TO KEEP RIGHT ANGLES!!
TECHNICAL DETAILS OF INSTALLATION ON PAGE 11-14

DIAGRAM

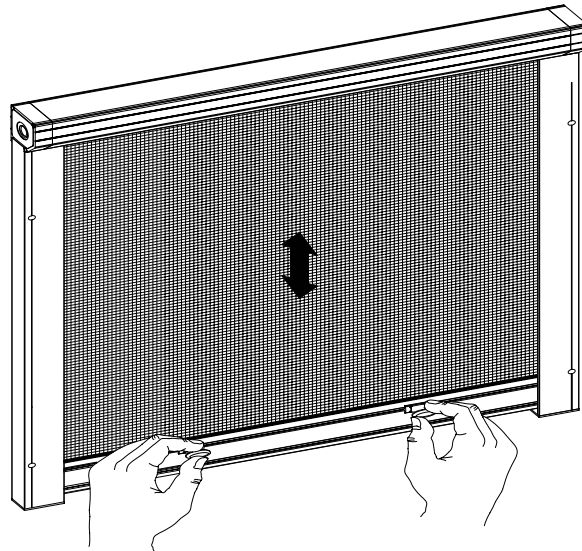


HOW TO ASSEMBLE ONTO WINDOW FRAME

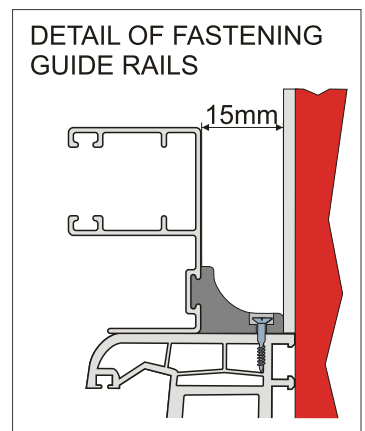
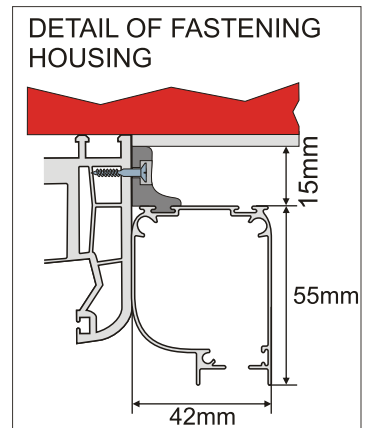
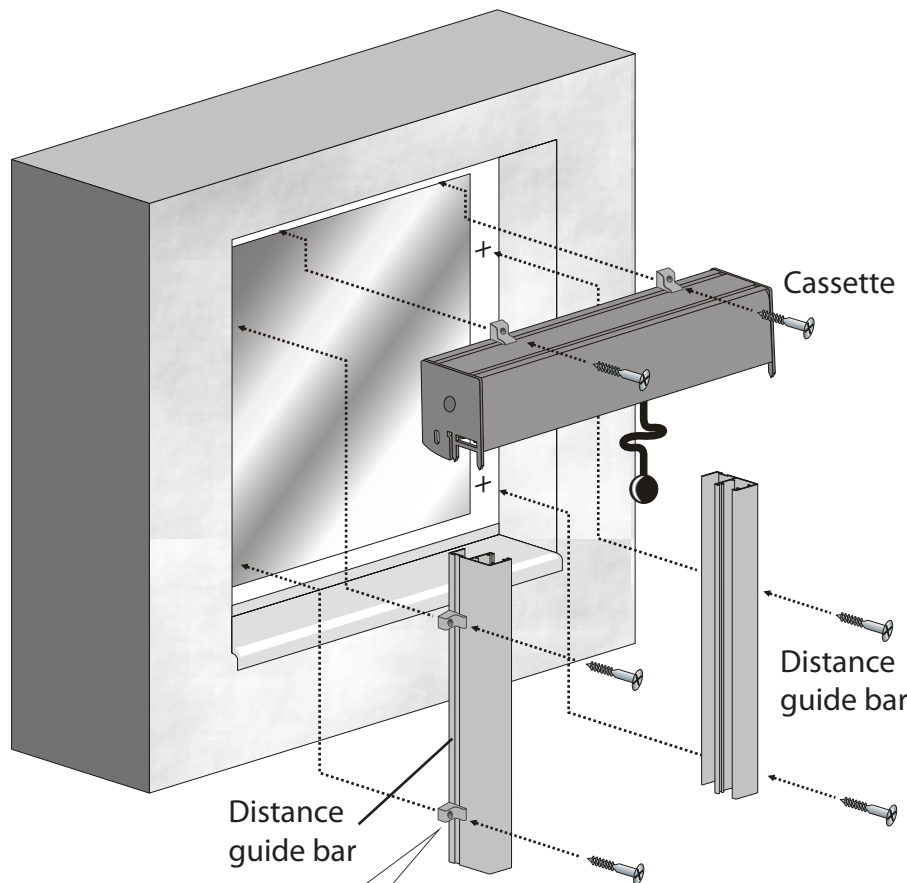


IN ORDER FOR THE SCREEN TO WORK PROPERLY
IT'S NECESSARY TO KEEP RIGHT ANGLES!!
TECHNICAL DETAILS OF INSTALLATION ON PAGE 11-14

DIAGRAM



HOW TO ASSEMBLE ONTO WINDOW FRAME with installation fasteners



PLASTIC ASSEMBLY FASTENERS

recommended spacing between the fasteners is 50 cm



IN ORDER FOR THE SCREEN TO WORK PROPERLY IT'S NECESSARY TO KEEP RIGHT ANGLES!!
TECHNICAL DETAILS OF INSTALLATION ON PAGE 11-14

BASIC PRICE LIST ASSEMBLY OF A RETRACTABLE DOOR SCREEN

SCREEN: PVC-coated fiberglass

SCREEN COLOR - gray, black

HOUSING: extruded aluminum form

HOUSING COLOR - white, dark brown

PULL BAR COLOR: white / dark brown, according to housing color

GUIDE RAIL: 27 x 22 extruded aluminum form with brush strip

UPPER GUIDE RAIL COLOR - white / dark brown

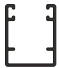


EXTRAS

HOUSING COLOR: optional coating with RAL colors

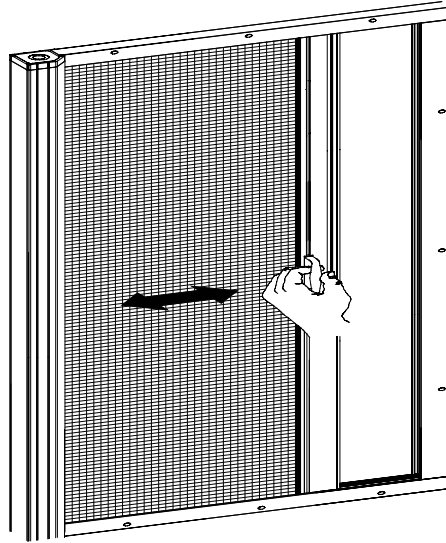
PULL BAR COLOR: optional coating with RAL colors

GUIDE RAIL COLOR: optional coating with RAL colors

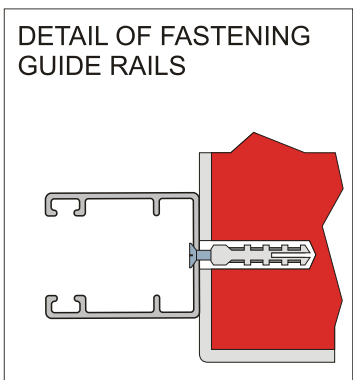
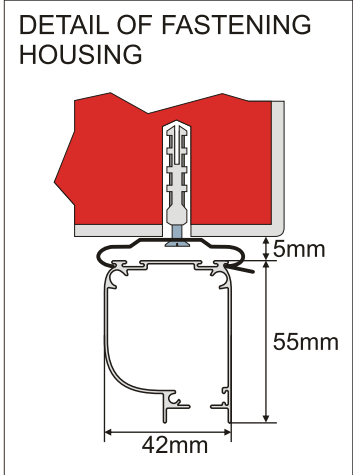
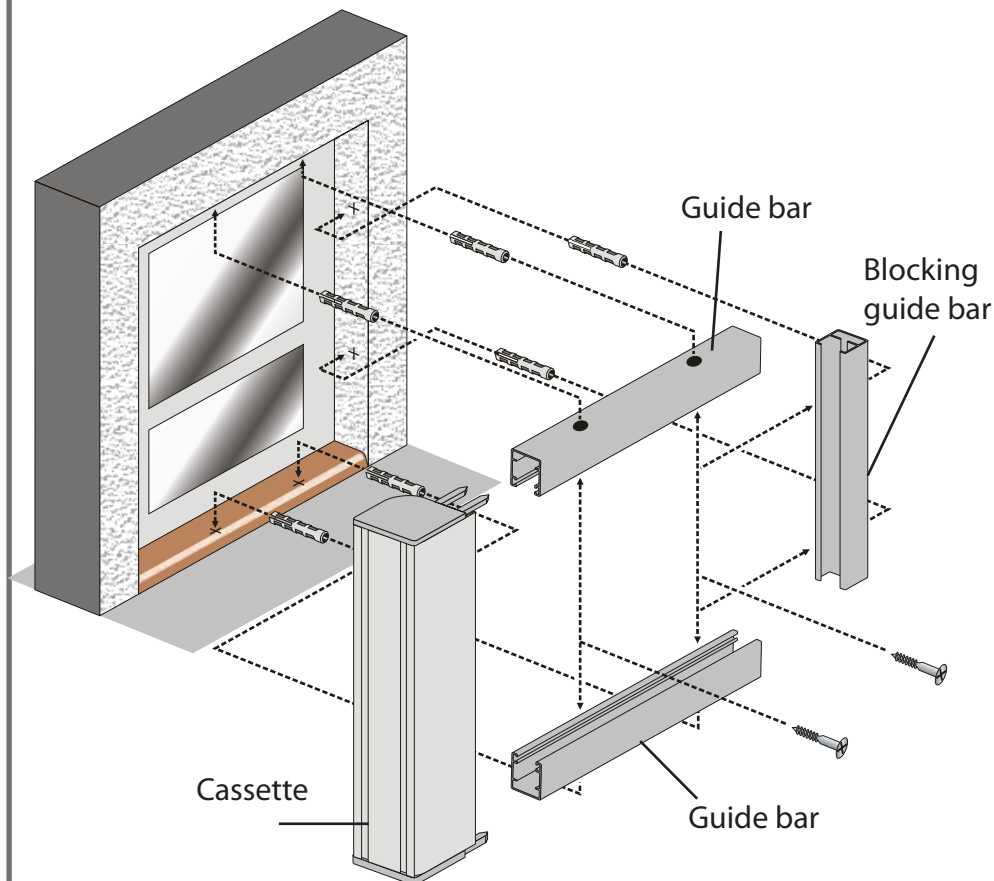
PLASTIC ELEMENTS ONLY IN DARK BROWN

RETRACTABLE DOOR SCREEN INSTALLATION & ASSEMBLY METHODS		
INSTALLATION TYPE	GUIDE RAIL	PAGE
INTO JAMB	 27x22mm	8
ONTO FRAME - with distance guide and catch bar	 27x42mm	9
ONTO FRAME - with distance guide and catch bar, using plastic installation fasteners	 27x42mm	10

DIAGRAM

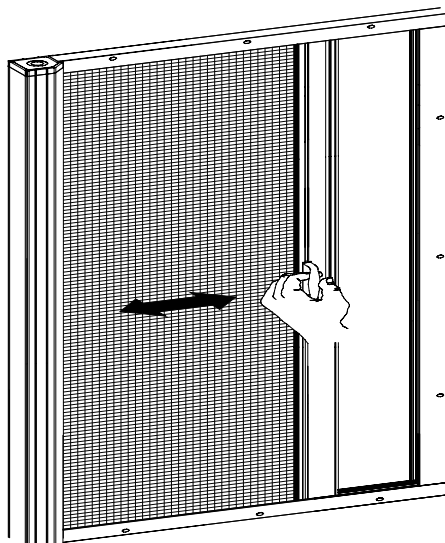


HOW TO ASSEMBLE IT INTO A JAMB

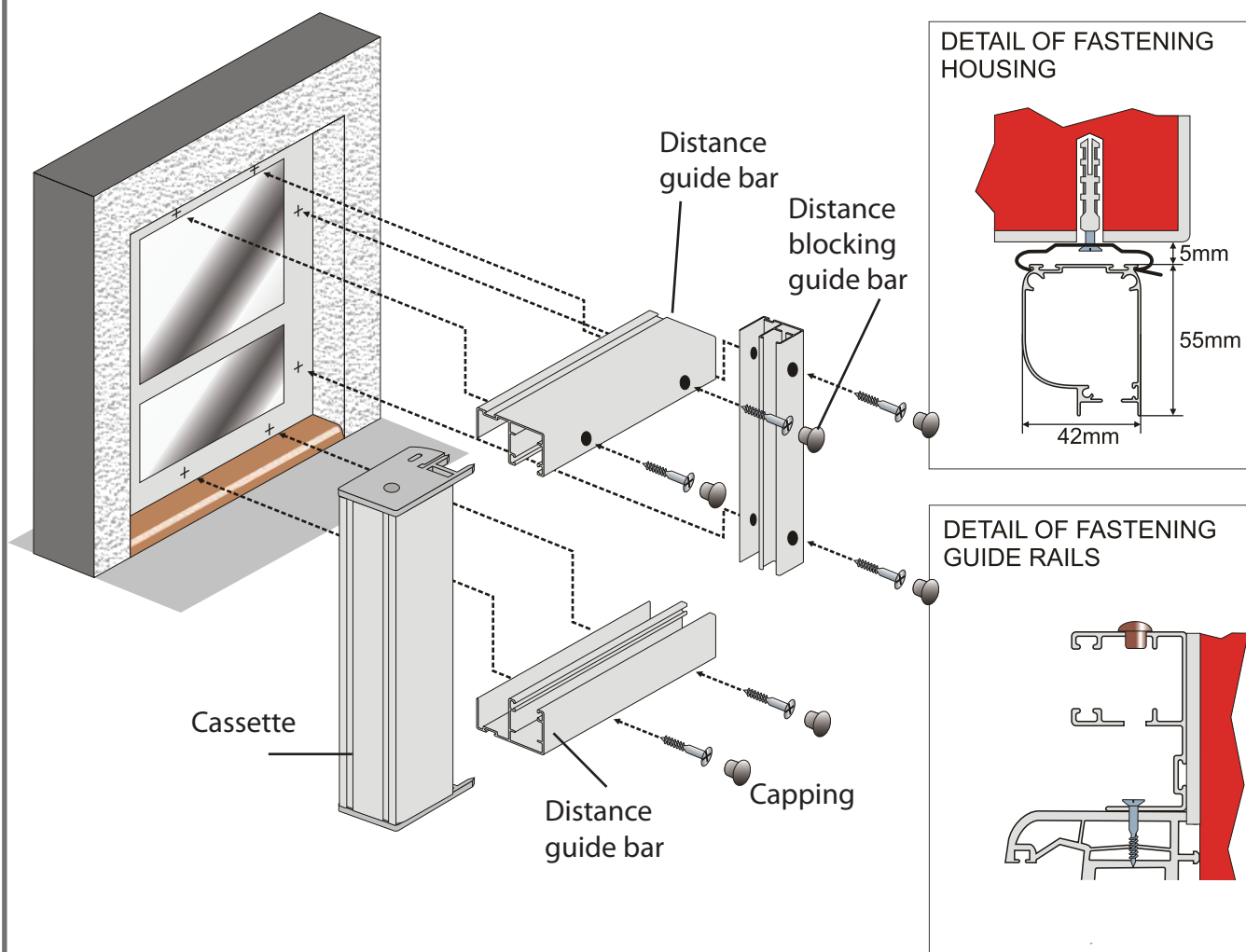


IN ORDER FOR THE SCREEN TO WORK PROPERLY
IT'S NECESSARY TO KEEP RIGHT ANGLES!!
TECHNICAL DETAILS OF INSTALLATION ON PAGE 11-14

DIAGRAM



HOW TO INSTALL IT ONTO DOOR FRAME

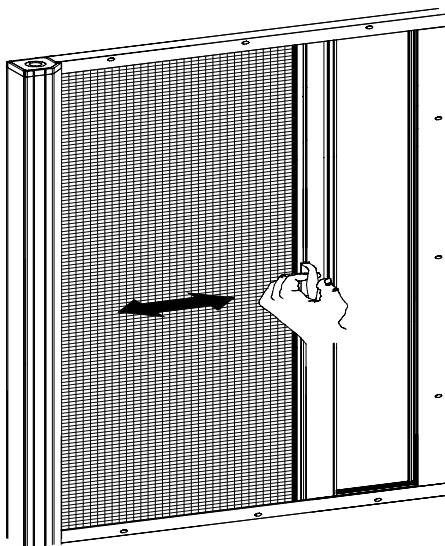


IN ORDER FOR THE SCREEN TO WORK PROPERLY
IT'S NECESSARY TO KEEP RIGHT ANGLES!!
TECHNICAL DETAILS OF INSTALLATION ON PAGE 11-14

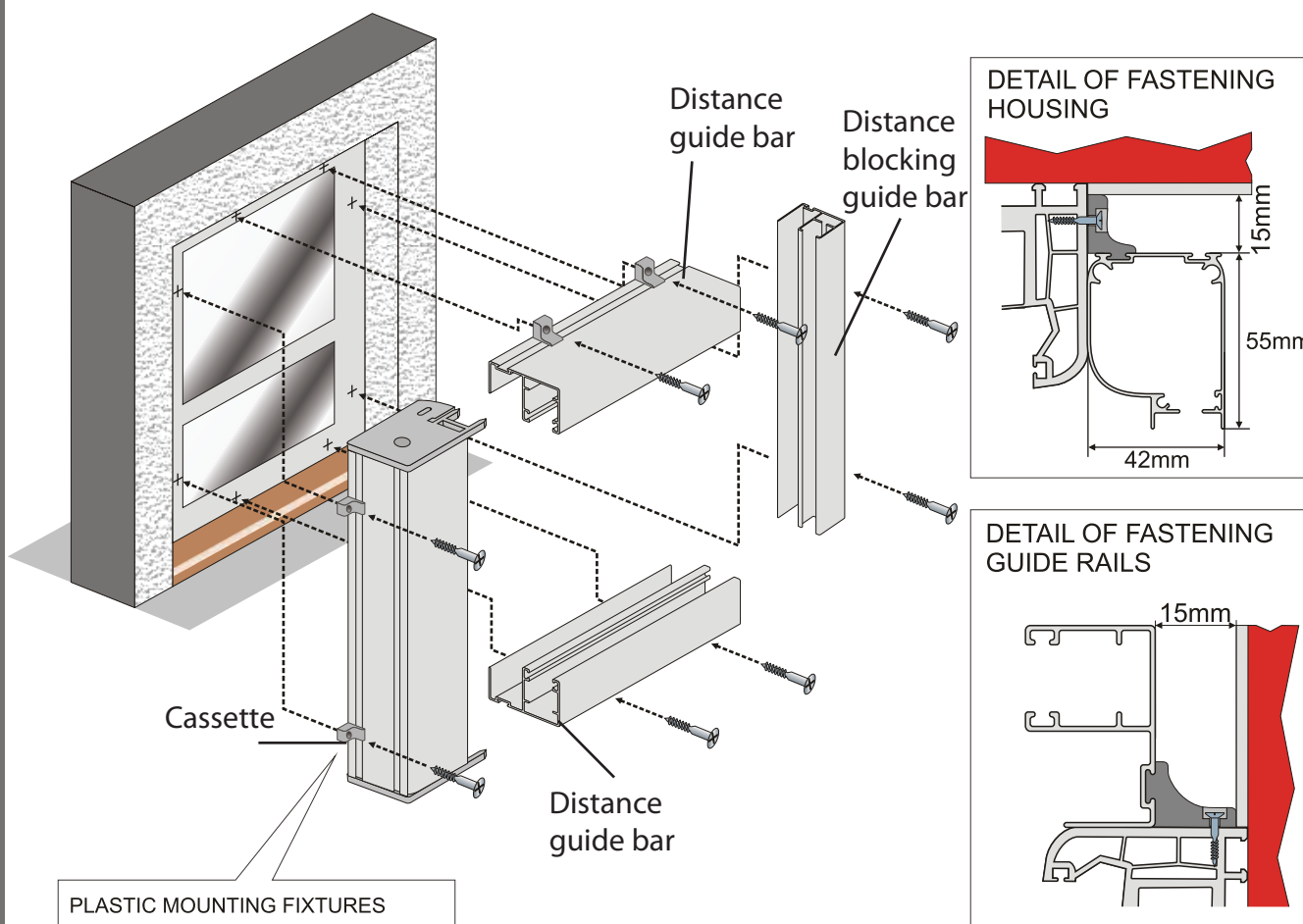


**RETRACTABLE DOOR SCREEN - ASSEMBLY ONTO THE DOOR FRAME
(mounting fixtures)**

DIAGRAM



**HOW TO INSTALL IT ONTO DOOR FRAME
with mounting fixtures**



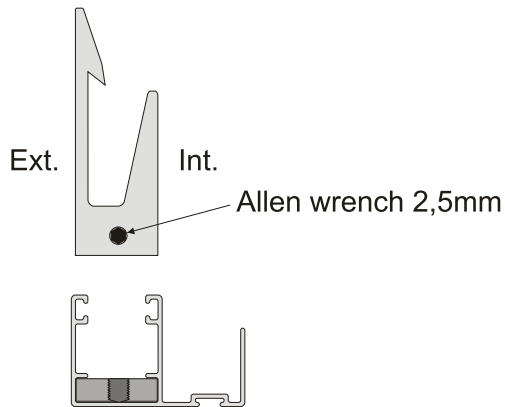
PLASTIC MOUNTING FIXTURES
recommended distance
between the individual
brackets is 50mm



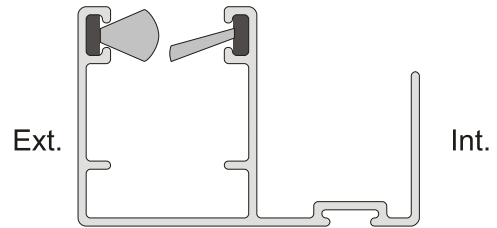
IN ORDER FOR THE SCREEN TO WORK PROPERLY IT IS
NECESSARY TO KEEP RIGHT ANGLES!
TECHNICAL DETAILS OF INSTALLATION ON PAGE 11-14

TECHNICAL DETAILS

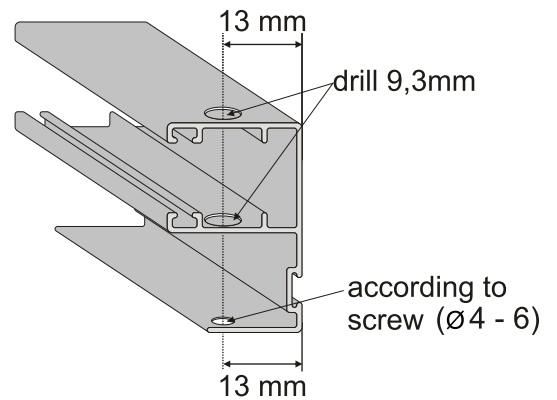
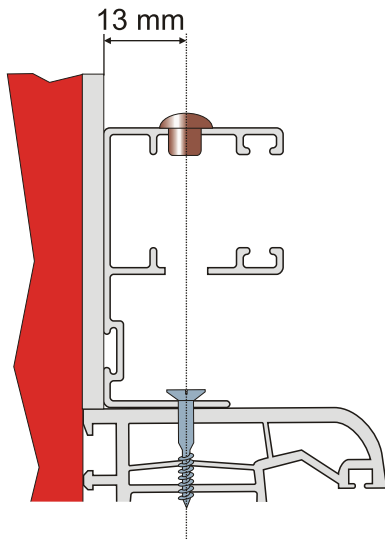
ORIENTATION OF END STOP IN GUIDE BAR



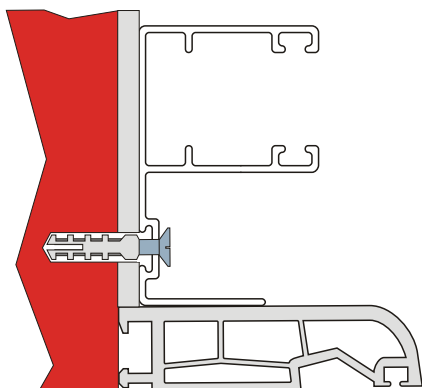
ORIENTATION OF BRUSHES IN GUIDE BARS

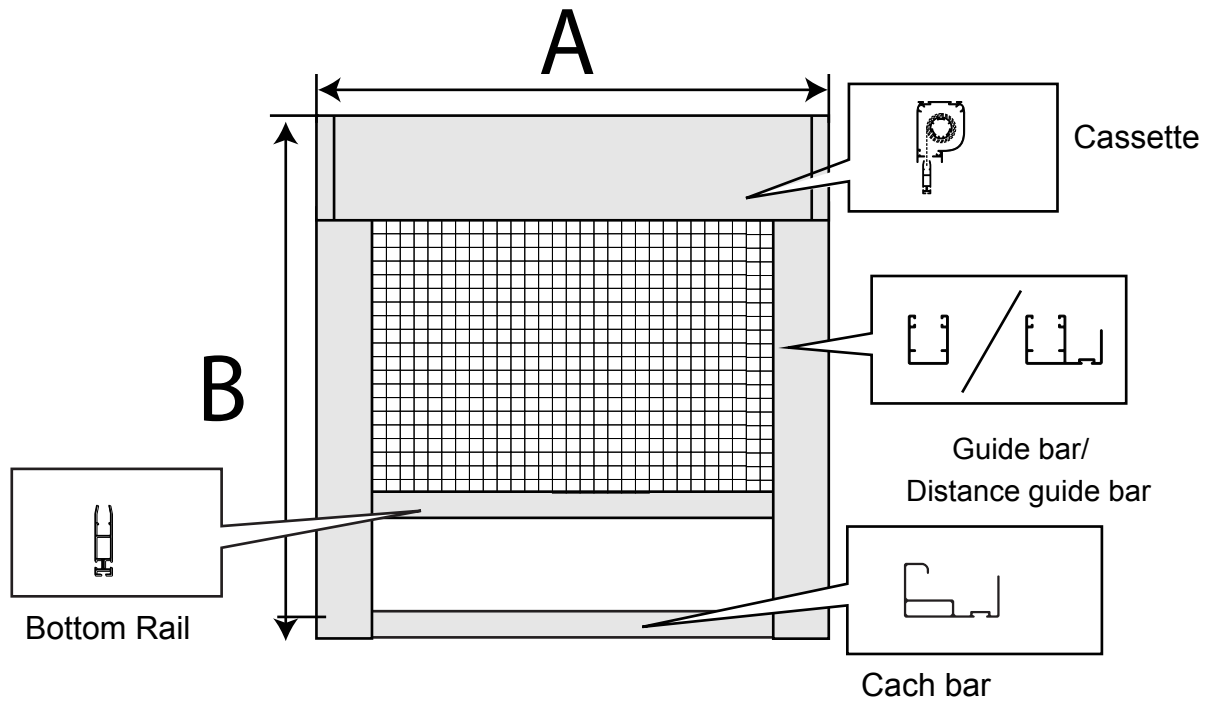


LOCATION OF SCREW OPENINGS FOR INSTALLATION ONTO WINDOW FRAME

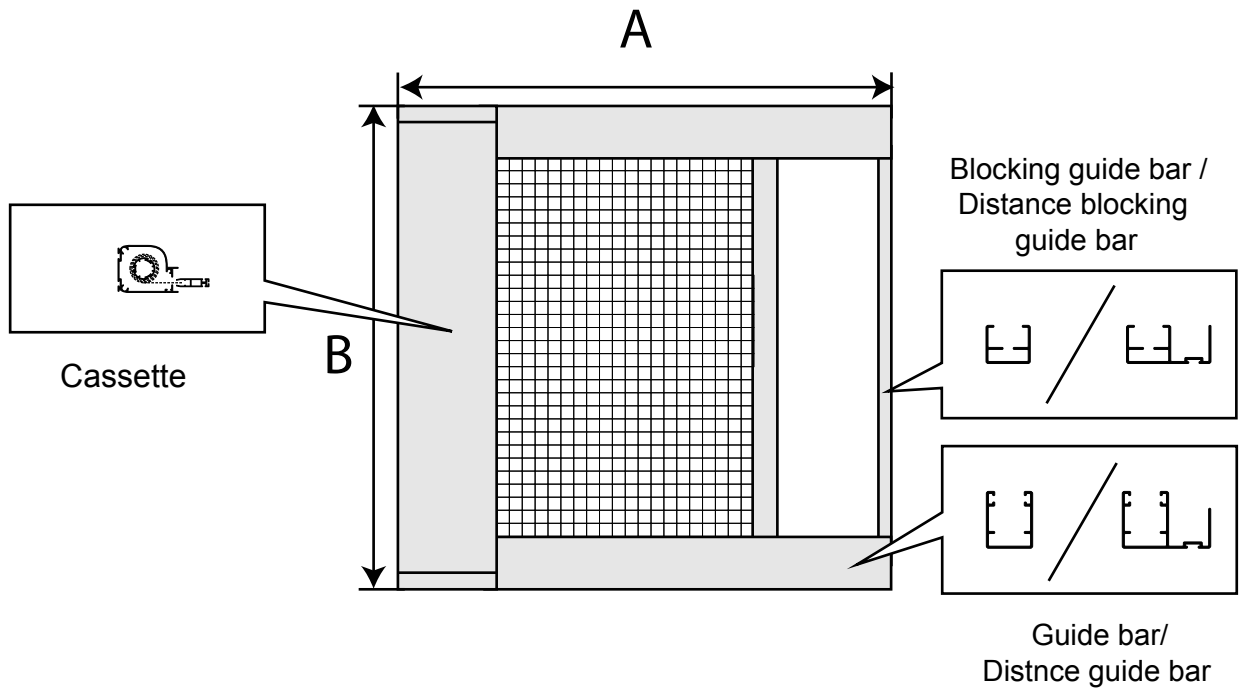


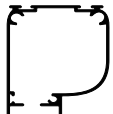


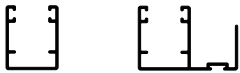

ALTERNATIVE METHOD FOR FASTENING GUIDE RAIL INTO REVEAL





Drawing	Name	Cutting
	Cassette	A - 22 mm
	Bottom Rail	
	Tube with net	
	Guide bar/ Distance guide bar	B - 50 mm
	Catch bar	

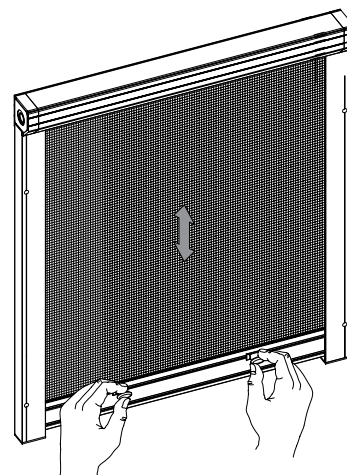


Drawing	Name	Cutting
	Cassette	
	Tube with net	B - 22 mm
	Bottom rail	
	Guide bar/ Distnce guide bar	B - 50 mm
	Blocking guide bar / Distance blocking guide bar	B - 54 mm

RECOMMENDED MINIMUM AND MAXIMUM SIZES

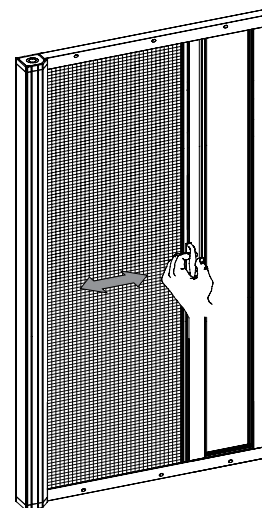
VOLANDO - VERTICAL SYSTEM

	Min.	Max.
Width	50 cm	160 cm
Height	50 cm	240 cm



VOLANDO - HORIZONTAL SYSTEM

	Min.	Max.
Width	50 cm	150 cm
Height	50 cm	240 cm





94-247 Łódź, ul. Solec 3/5
tel. +48 42 651 7131, fax +48 42 633 33 00
biuro@tommark.pl
www.tommark.pl